

Electricity

Year 3/4 Science

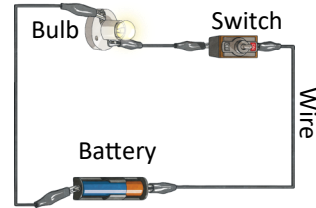
Is there more than one type of electricity?

Mains Powered	Battery Powered

Electrical appliance		A machine or device that runs on electricity.
Mains		The electricity supplied to households from power stations.

How does electricity flow to create a complete circuit?

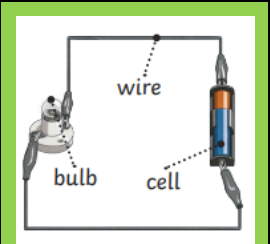
Bulb	Battery/Cell	Wire	Switch	Buzzer



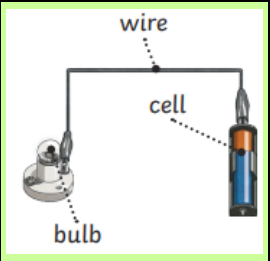
Electrical circuit		Consists of a cell/battery connected to a component using wires. It needs to be a
--------------------	--	---

What happens if a circuit is incomplete?

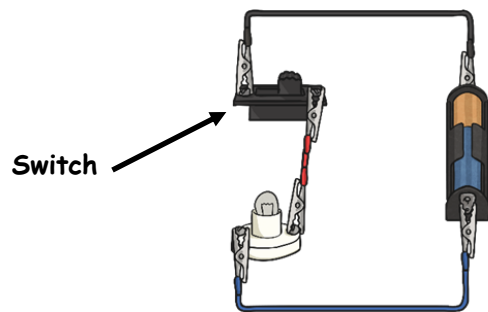
Complete Circuit:
There are no gaps anywhere, so the electrical current can flow around the entire circuit. The wires connect the + and - ends of the battery.



Incomplete Circuit:
There is a gap in the circuit, so the electrical current cannot flow around it.



How do we stop electricity flowing?



Switch		A switch 'breaks' a complete circuit on purpose to stop the flow of the electric current when it is off .
--------	--	--

What makes a good conductor?

Conductors	Insulators

Conductor		Material that allows electricity to pass through (e.g. metal) such as iron,
Insulator		Material that does not allow electricity to pass through it (e.g. plastic/ wood)